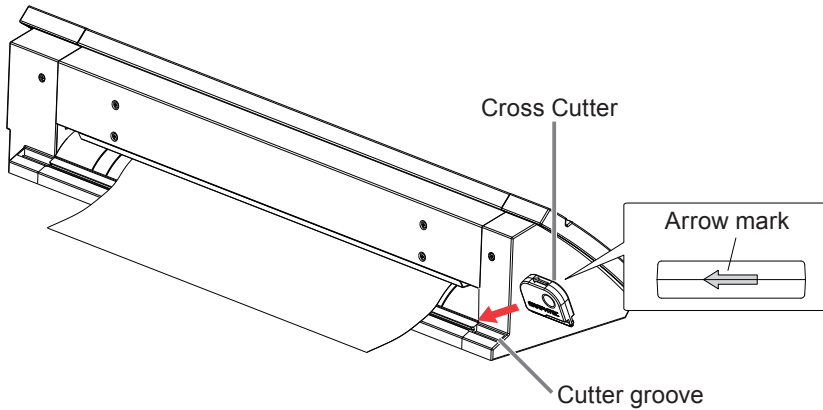


Usage of the Cross Cutter
(PM-CC-001)

Cross cutter is used to cut in the middle of a long media.

1. Set the cross cutter in the cutter groove on the back of the device.
The arrow mark of the cross cutter indicates the cross cutting direction.
If the cross cutter is set in the incorrect direction, the media can not be cut.



2. Slide the cross cutter along the groove to cut the media.
Cross cut can be performed from either end of the groove.

